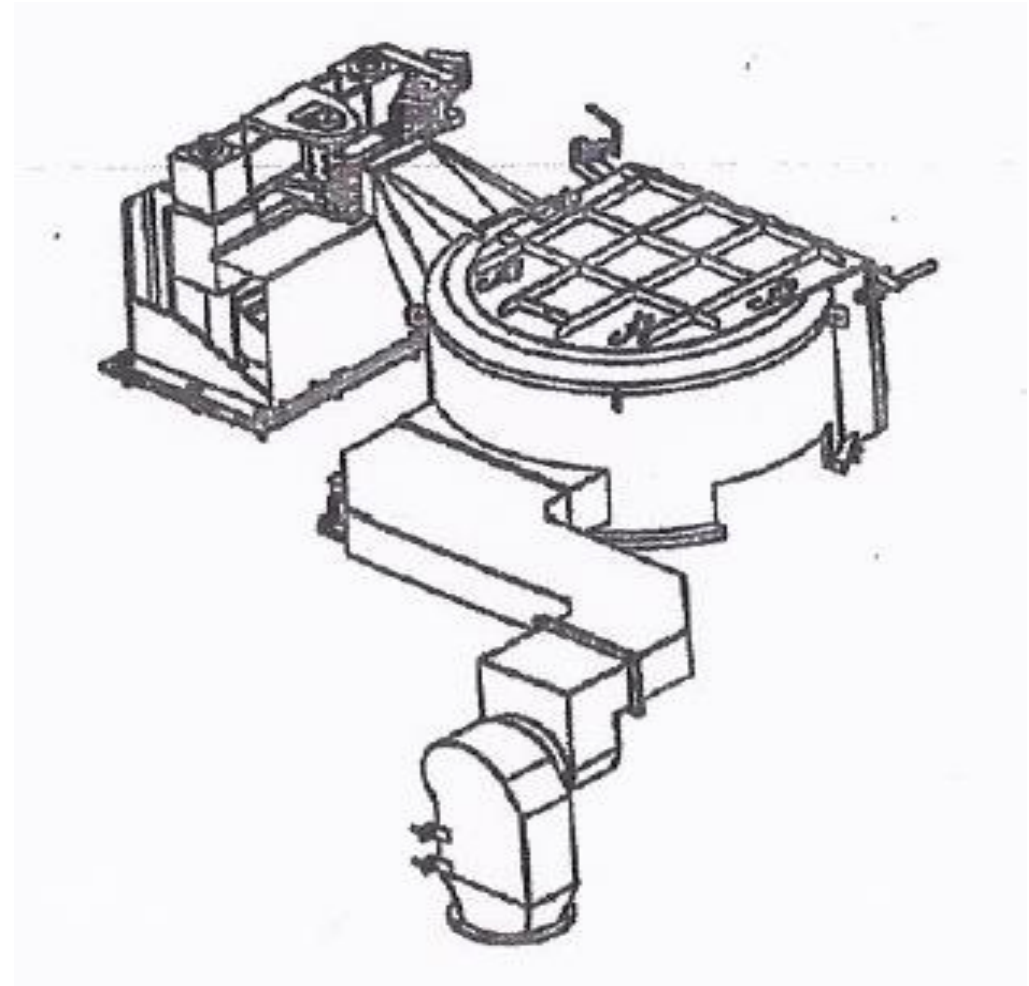
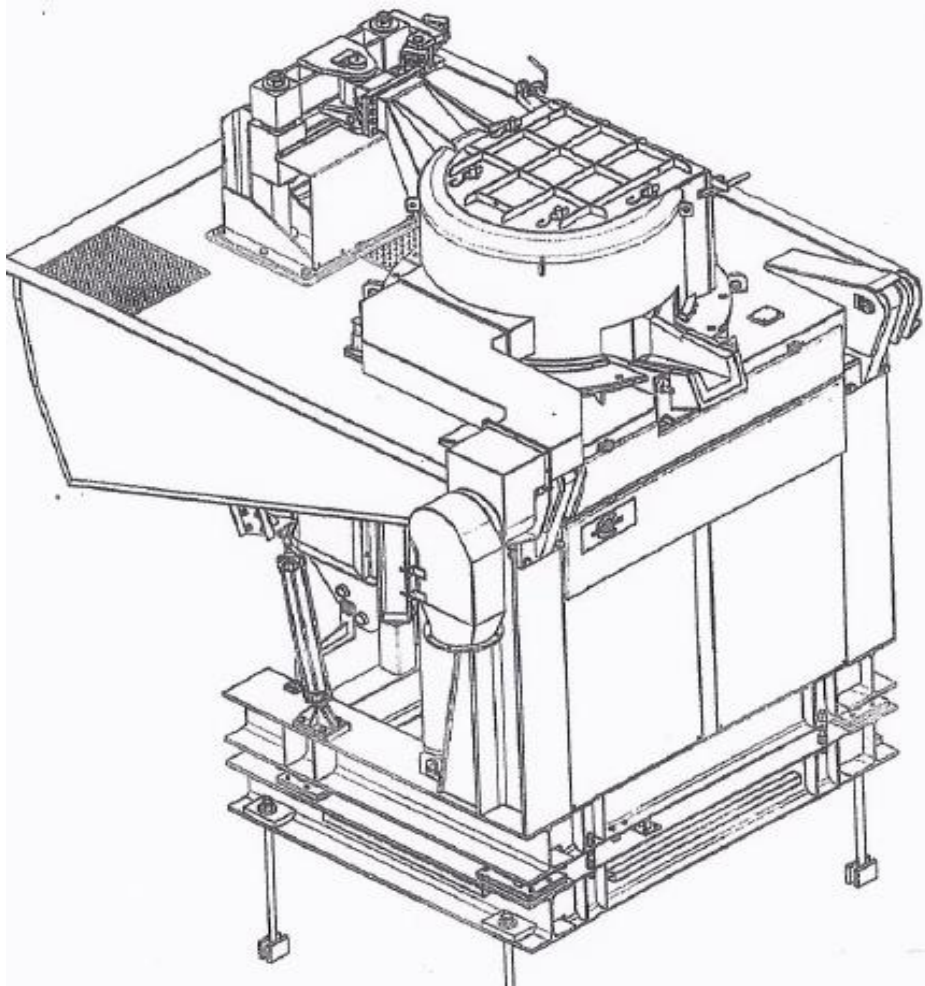
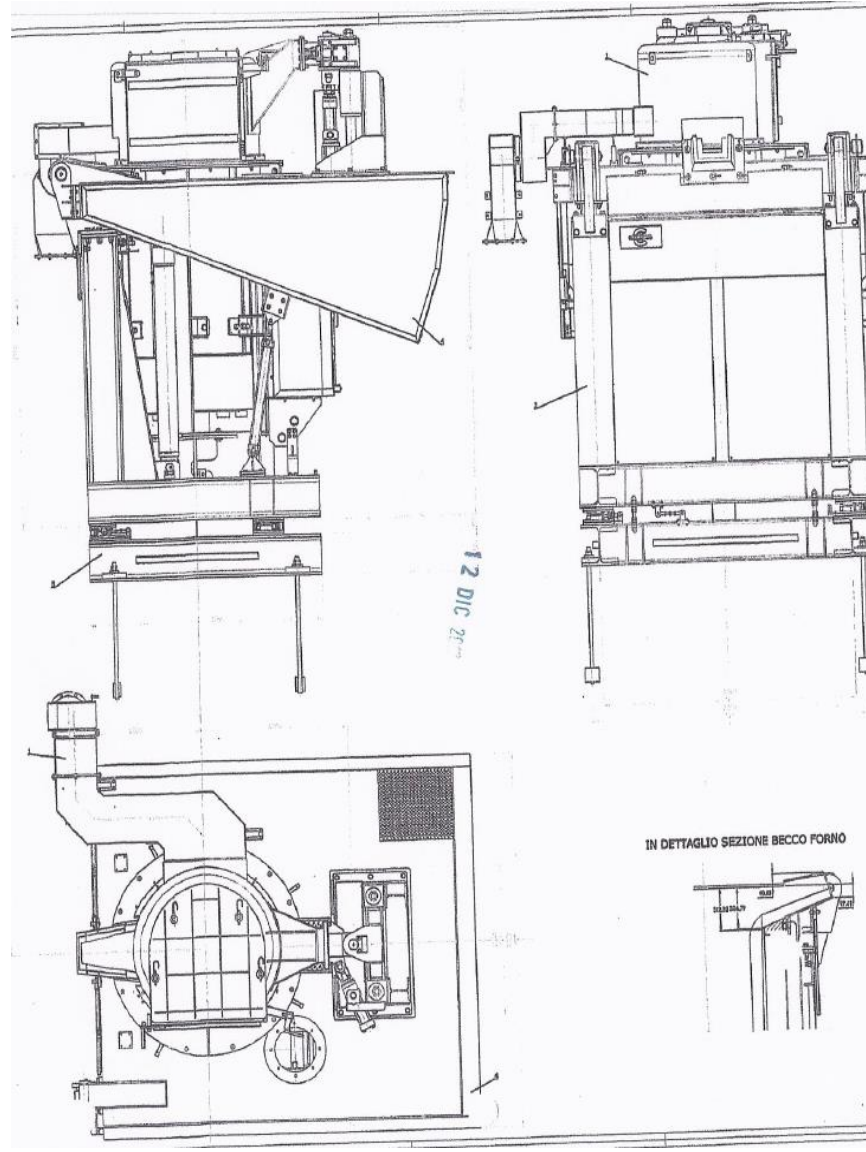


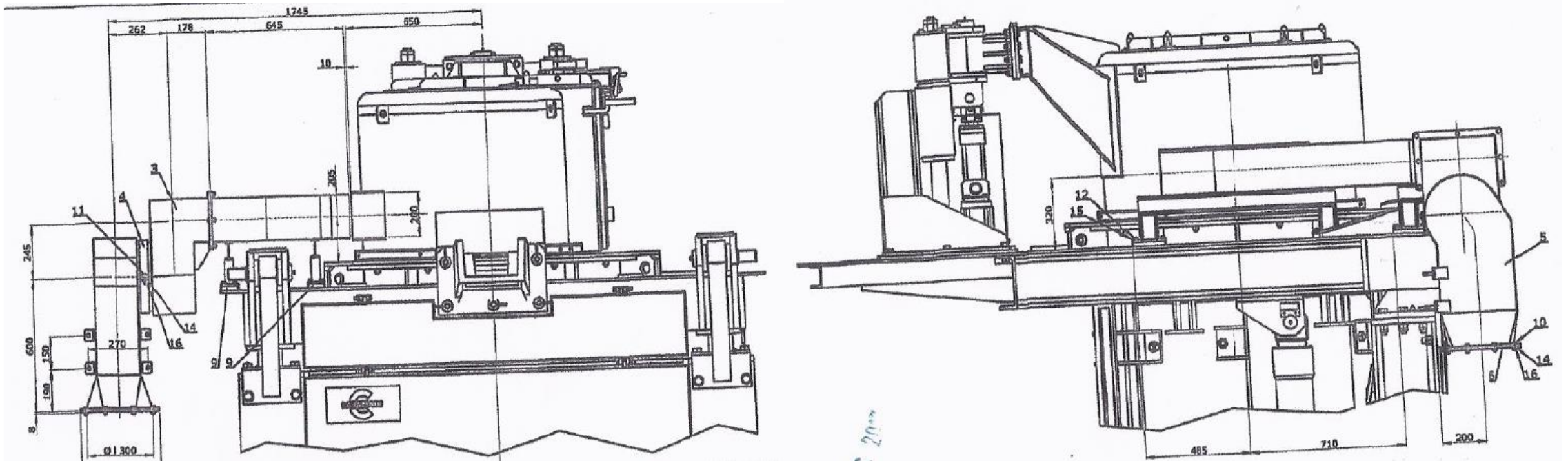
Make / Hersteller:	GMS
Model / Modell:	CALAMARI Coreless Medium Frequency Furnace
New in / Baujahr:	2009
Location / Lagerort:	Italy
Term of delivery / Lieferzeit:	immediatly

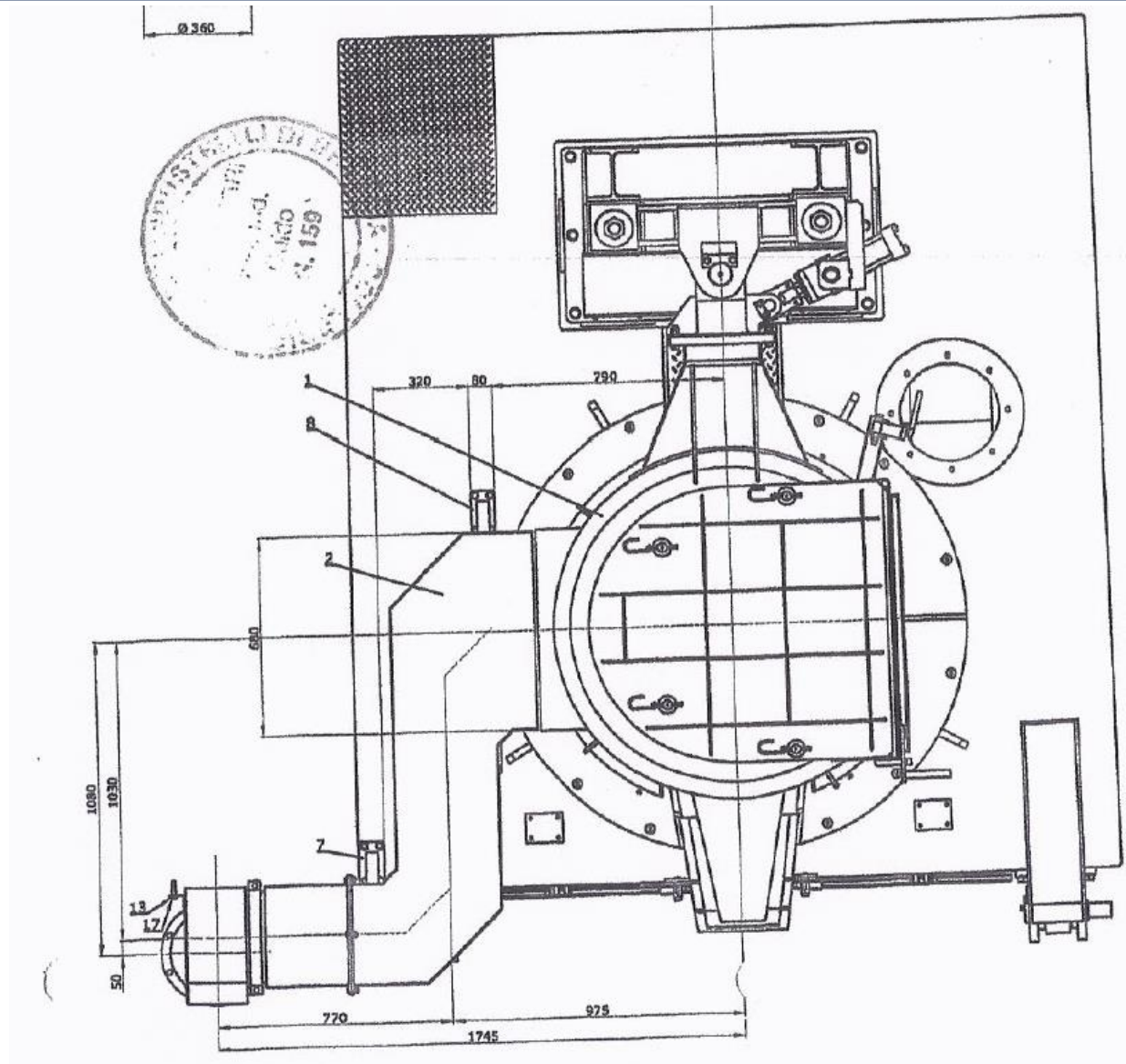
Technical Details/Technische Details / Additional/Zubehör / Accessoires/Zusatz:	Dimension/Wert	Unit/Einheit
Capacity (nominal)	3.000	kg
Diameter x Depth	720 x 1.200	mm
Melting Capacity:		
- Grey cast iron	2.500 kg/h at 1.450 Deg C	
- Steel AISI 304	2.000 kg/h at 1.600 – 1.650 Deg C	
- Non-Ferrous metals	2.800 kg/h at 1.300 Deg C	
Power Factor CosFi	0,95	
Max Temperature	1.750	Deg C
Energy Consumption:		
- Grey cast iron	520 – 550	kWh/to
- Steel AISI 304	600 – 625	kWh/to
- Non-Ferrous metals	460 – 500	kWh/to

Technical Details/Technische Details / Additional/Zubehör / Accessoires/Zusatz:	Dimension/Wert	Unit/Einheit
Rated Power, max.	1.500	kW
Power Converter + Furnace	1.600	kW
Transformer Power (nominal / project)	1.600 kVA / 1.850	kVA
Voltage main supply	15	kV
Voltage network	0 – 1.200	V
Voltage operation	110	V
Frequency furnace	700 – 110	Hz
Noise Level during Operation	85	dBA (+/- 5%)
Total Weight	ca. 36.000	kg









Andreas Matuszczak

andreas@maynards.com

Managing Director
& Senior Appraiser
Maynards Europe GmbH