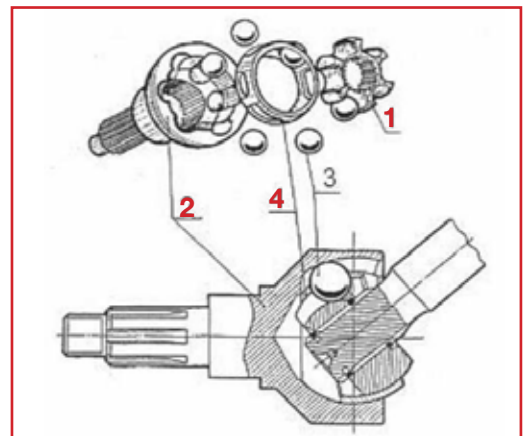


FOR IMMEDIATE SALE

by order of the owner:

**Various Lines for the Production of Constant Velocity (CV)
Joint Components incl. Final Assembly**

Year of Manufacture **up to 2016** | Ex-Works: Stuttgart in **Germany**



Production lines available for:

- 1) Inner Racer / Star
- 2) CV Housing (3 Lines)
- 4) Spherical cage

Contact:

Europe@maynards.com | Tel. +49 8151 973420 or andreas@maynards.com | Tel. +49 174 3210116

www.maynards.com

CANADA | USA | EUROPE | JAPAN | CHINA

FOR SALE BY PRIVATE NEGOTIATION

By order of the owner of the assets, we are offering For Immediate Sale various, very well maintained production lines for Constant Velocity (CV) joint components including Final Assembly. These manufacturing lines are currently still in use by a major premium passenger car manufacturer in Germany.

The production lines have been upgraded continuously and the latest investment in new machinery has been in 2016. The assets are no longer required due to the shift to other products and the plant space required.

The average production cycle time of the CV Housing Lines is 30 seconds per part

Interested parties are welcome to make offers on entire lines or on individual machines.

INNER RACER / STAR MACHINING LINE:

1) EMAG VSC 250	Vertical Lathe	(2001)
2) EMAG VSC 250 TWIN	Vertical Lathe	(2002)
3) (3x) SCHERER VDZ 220 DS CNC	Twin-Spindle Vertical Lathe	(2012)
4) (2x) EMAG VSC 315 TWIN KBG	Ball Race Milling Machine	(2008)
5) KLINK RISH 16-1800-630	4-Spindle Vertical Internal Broaching Machine	(2002)
6) KNOELL RT-400-NC	Lock-Ring-Groove Deburring Unit	(2009)
7) SCHAUDT CombiGrind Hs	Hard-Turning and Grinding Machine	(2008)



1



2



5



3



4

CV HOUSING MACHINING LINES:

LINE 1

1) (2x) SCHERER WDZ 250 DUO CNC	Twin-Spindle Vertical Lathe	(2011)
2) ExCelIO XK 251	Cold Rolling Machine	(1990)
3) ELOTHERM TTH2	Induction Hardening Line	(2001)
4) SCHERER VDZ 120 DS CNC	Twin-Spindle Vertical Lathe	(2011)
5) EMAG VSC 250 TWIN KBG	Ball Race Milling Machine	(2007)
6) MOEWAMAT	Through Feed Washing Machine	(2011)

LINE 2

7) (2x) INDEX G 300	CNC Lathes	(2002)
8) SAET / EFD 3 EGR	Induction Hardening Line	(2006)
9) SCHERER VDZ 220 DS CNC	Twin-Spindle Vertical Lathe	(2012)
10) EMAG VSC 250 TWIN KBG	Ball Race Milling Machine	(2007)
11) MOEWAMAT	Through Feed Washing Machine	(2008)
13) KUEHNLE	Measuring Station	(1999)

LINE 3

14) (2x) Scherer WDZ 250 Duo	Twin-Spindle Vertical Lathe	(2008)
15) SAET / EFD 3 EGR	Induction Hardening Line	(2006)
16) MOEWAMAT	Through Feed Washing Machine	(2008)

LINE 4

17) VDF BOEHRINGER 16M-2	CNC Lathe	(1999)
18) NILES N 20	CNC Lathe	(1999)
19) (2x) INDEX GU 800	CNC Lathe	(1992)
20) KUKA/SAMPAS	Deburring-Cell	(1999)
21) (2x) ExCelIO 3237	Cold Rolling Machine	(1984+1988)
22) SAET / EFD 3 EGR	Induction Hardening Line	(2006)
23) HYDROMATION / SK-HYDRO	Washing Machine	(2002)
24) EMAG REINECKER HSC 250 DS	Twin-Spindle Vertical Hard-Turning + Grinding Machine	(2004)
25) INDEX V 200	Vertical Lathe	(2002)
26) SCHLICK USF RotoJet KT 1-1	Through Feed Washing Machine	(2002)
27) MARKERT A00-5548	Washing Machine	(2001)
28) RELOFF	Storage System	

LINE 5 (INTERNAL GEAR)

29) (2x) SCHERER VDZ 120 DS CNC	Twin-Spindle Vertical Lathe	(2010+2011)
30) EMAG VSC 315 TWIN KBS	Ball Race Milling Machine	(2008)
31) EFD TS-300-400-2 GS	Induction Hardening Line	(2011)
32) HAFNER	Measuring and Classification Station	(2011)
33) EMAG VSC 400 TWIN KBU	Ball Race Milling Machine	(2010)
34) DUERR WSZ 03-FB/200/200	Washing Machine	(1997)
35) EMAG VTC 315 DS	Washing Machine	(2002)
36) (2x) SCHERER VDZ 120 DS CNC	Twin-Spindle Vertical Lathe	(2011)
37) (2x) EMAG VSC 315 TWIN KBS	Ball Race Milling Machine	(2010+2011)
38) KLINK RISH 12-1250-500 AT	3-Station Vertical Internal Broaching Machine	(2011)
39) ELOTHERM TS-300-400-2 GS	Induction Hardening Line	(2011)
40) ExCelIO XK 275	Cold Rolling Machine	(1990)

CV HOUSING MACHINING LINES:



SPHERICAL CAGE MACHINING LINE:

1) REIKA 224/334 CNC	Tube Cut-to-Length Machine for Cage Blanks	(2015)
2) GEORG PHE 100 S	Cage-Window Stamping Press	(1983)
3) GEORG PHS 125 S	Cage-Window Stamping Press	(2008)
4) (3x) SCHERER VDZ 120 DS CNC	Twin-Spindle Vertical Lathe	(2010+2011)
5) (2x) WEISSER UNIVERTOR AT-90L	Vertical-Lathe	(1999)
6) GEORG DUO	Cage-Window Stamping Press	(2000)
7) (2x) ExCello XG 650	Window Grinding Machine	(1997+2000)
8) (2x) NOVA PGE 45-80 GC	External Grinding Machine	(2000+2001)
9) (2x) NOVA 2 GP 10/90 D	Internal Grinding Machine	(1992+2002)
10) GEORG PED 100 SD	Stamping Press	(1993)
11) (2x) EMAG VSC 130 TWIN	Twin-Spindle Vertical Lathe	(1996)
12) EMAG VSC 160 TWIN	Twin-Spindle Vertical Lathe	(1999)
13) DISKUS DS 400 X OZ	Twin-Spindle Vertical Cage Front Face Grinding Machine	(2001)
14) DISKUS DS 400 X 2 OZ	Twin-Head/Twin-Spindle Vertical Cage Front Face Grinding Machine	(2016)
15) KUEHNLE	Measuring Station	(1999)
16) MARPOSS	Twin-Line Measuring and Classification Unit	(2009)
17) ROESLER FKS 35.1 A 2	Barrel Finishing Line	(2003)



14



8



9



7



17



5



1



2&3&6&10



16

ASSEMBLY CELLS / LINE AND TESTING:

- | | | |
|-----------------|-----------------------------|-------------|
| 1) THYSSENKRUPP | Assembly Stations - various | (2002) |
| 2) USK | Conveyor System | (1996+2013) |
| 3) BORRIES | Marking Units - various | (2003) |
| 4) INTERFLUX | Crack-Test-Bench | (1985) |



CONSTRUCTION PRINCIPLE OF SCHERER VDZ 250 / 120 / 220 TWIN-SPINDLE VERTICAL LATHES

- 1) One standing + hanging Spindle of a SCHERER VDZ 250 DUO and two turrets per spindle
- 2) Left + Right Vertical PickUp Spindle of a SCHERER VDZ 120 DS with central workpiece loader
- 3) Tool-Turret and PickUp Spindle of a SCHERER VDZ 220 DS (Right Side)



Contact: andreas@maynards.com | Tel. +49 174 3210116
All Information and prior Sale reserved. Our actual T&Cs apply.
A Buyers Premium of 16% applies to all Sales.
Machines become offered "as is, where is", ex location/foundation Germany.