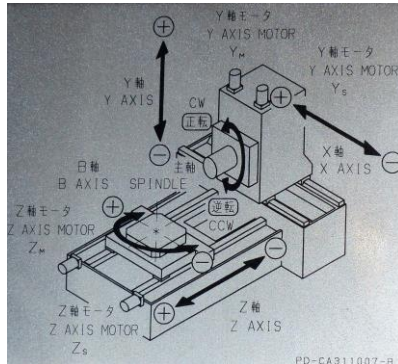


Subject to prior Sale we offer for Sale:

Horizontal-Machining-Centers TOYODA FH 800SX and FH 80S
new 2005 and 2007

TOYODA FH 800 SX, new 2007



- | | |
|---------------------|--|
| X/Y/Z | 1.250 / 1.100 / 1.050 mm |
| Pallet Size | 800 x 800 mm (Indexing 1 Degree) |
| Tool Taper | ISO 50 |
| Spindle Speed | 8.000 rpm |
| ATC-Positions | 80 |
| CNC | FANUC 31i-A |
| Coolant + Filtering | KNOLL High-Pressure with through-spindle coolant 70 bar and Band-Filter Unit |

TOYODA FH 80 S, new 2005



X/Y/Z	1.350 / 1.150 / 1.150 mm
Pallet Size	800 x 800 mm (Indexing 1 Degree)
Tool Taper	ISO 50
Spindle Speed	6.000 rpm
ATC-Positions	40
CNC	FANUC 16i-MB
Coolant + Filtering	KNOLL High-Pressure with through-spindle coolant 80 bar and Band-Filter Unit

Contact: andreas@maynards.com M +49 174 3210116
 All Information and prior Sale reserved. Our actual T&Cs apply.
 A Buyers Premium of 16% applies to all Sales.
 Machines become offered "as is, where is", ex location/foundation Germany.